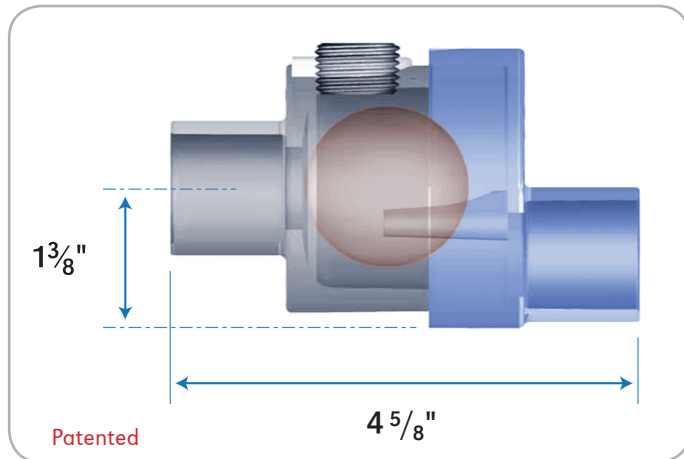
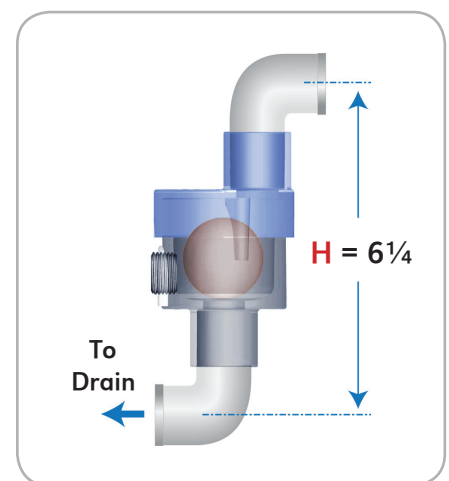
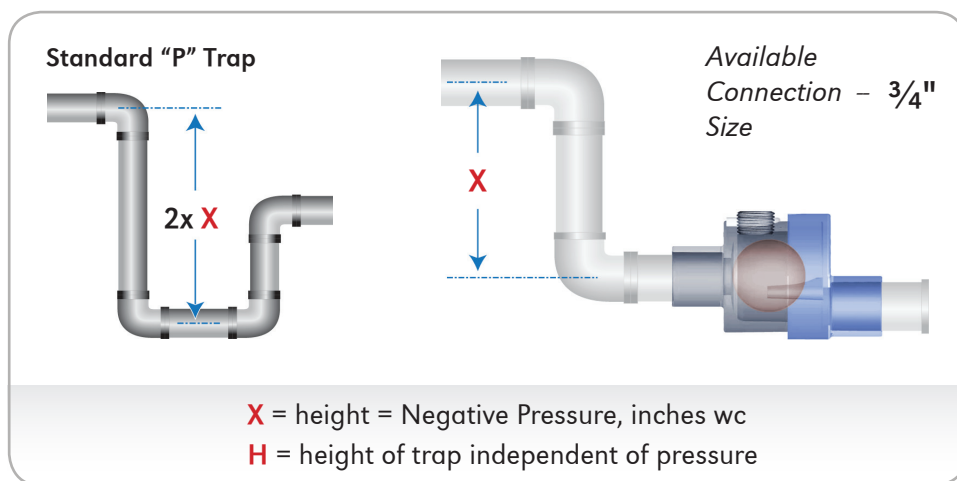


Residential/Lite Commercial - For Use as Negative or Positive Trap



No More Troublesome "P" Traps

- The *Air-Trap* will never freeze and break
- No more issues caused by traps drying out
- *Air-Trap* is predesigned to prevent field errors
- *Air-Trap* reduces trap height by up to 60%
- Eliminates sludge build-up at bottom of "U" tube
- No more geysers when there is negative pressure
- No more blow through with positive pressure



Negative Pressure - Orientation is Horizontal

- Condensate flow up to 4 GPM at any negative pressure
- Schedule 40 PVC with clean out port
- Retains no water after condensing has ceased
- 3/4" slip internal or 1" fitting external connection - with bushings can connect to 1/2, 1 1/4, 1 1/2 and 2" tubes
- Meets general building codes. For use on HVAC equipment only. Not for use as a sanitary trap.

Positive Pressure - Orientation is Vertical

- Up to 3-inches positive pressure
- Up to 0.5 GPM water flow (≈ 40 tons)

For detailed information and to see our RLC-Series Air-Trap during operation, please visit our YouTube videos:

https://youtu.be/2M_2SsKdyf4

or Facebook:

facebook.com/DesChampstech/



Made in U.S.A.  by